



Installation

Model specific instructions

For:

- BMW F800S
- BMW F800ST
- BMW F800GT
- BMW F800R
- BMW F800GS
- BMW F650GS (Twin cylinder)
- BMW F700 GS

These instructions are a model specific add-on to the general BoosterPlug installation instructions.

The general BoosterPlug installation instructions can be found in the "Downloads" section on the BoosterPlug.com website:

<http://www.boosterplug.com/shop/cms-downloads.html>

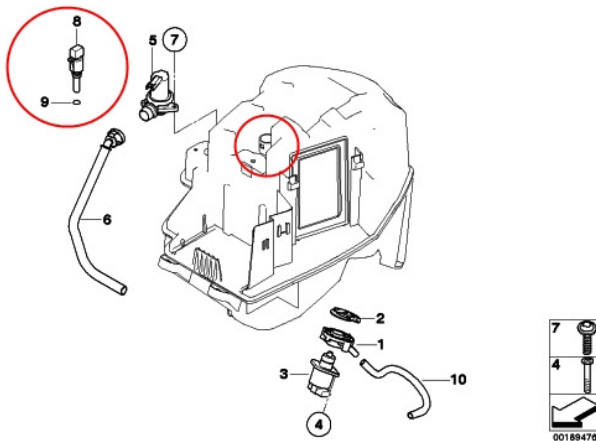
Installation Tips

- Remove the fake tank center cover
- Locate the AIT sensor in the Air filter box
- The pictures below should help you locate the sensor
- Install the BoosterPlug module as per the general installation papers
- A good spot for the BoosterPlug temperature sensor is next to the airbox snorkel intake hole (You may need to remove a little more plastic to get in there)

Pictures

For:

- BMW F800S
- BMW F800ST
- BMW F800GT
- BMW F800R



For:

- BMW F800GS
- BMW F650GS (Twin cylinder)
- BMW F700 GS

